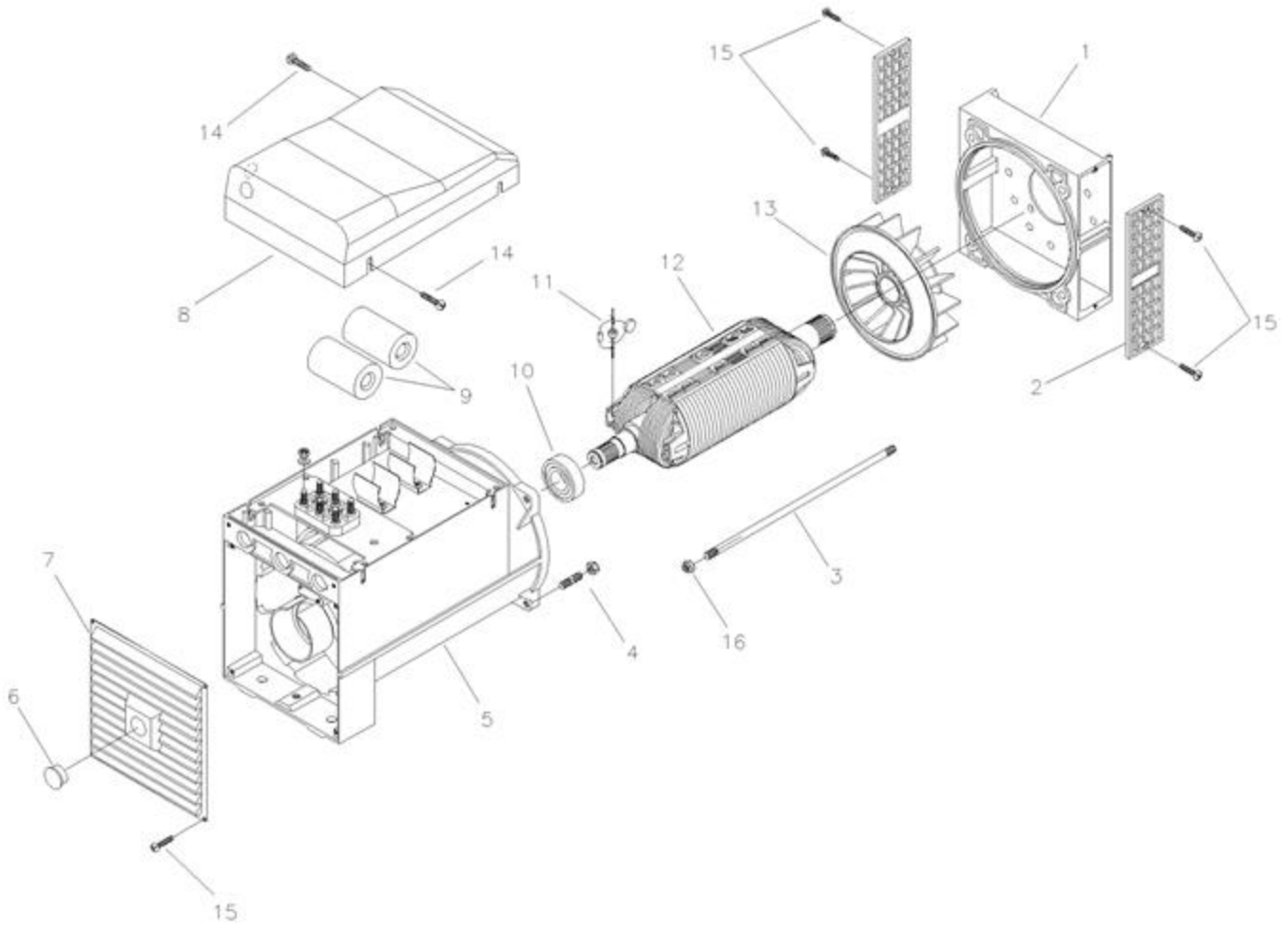


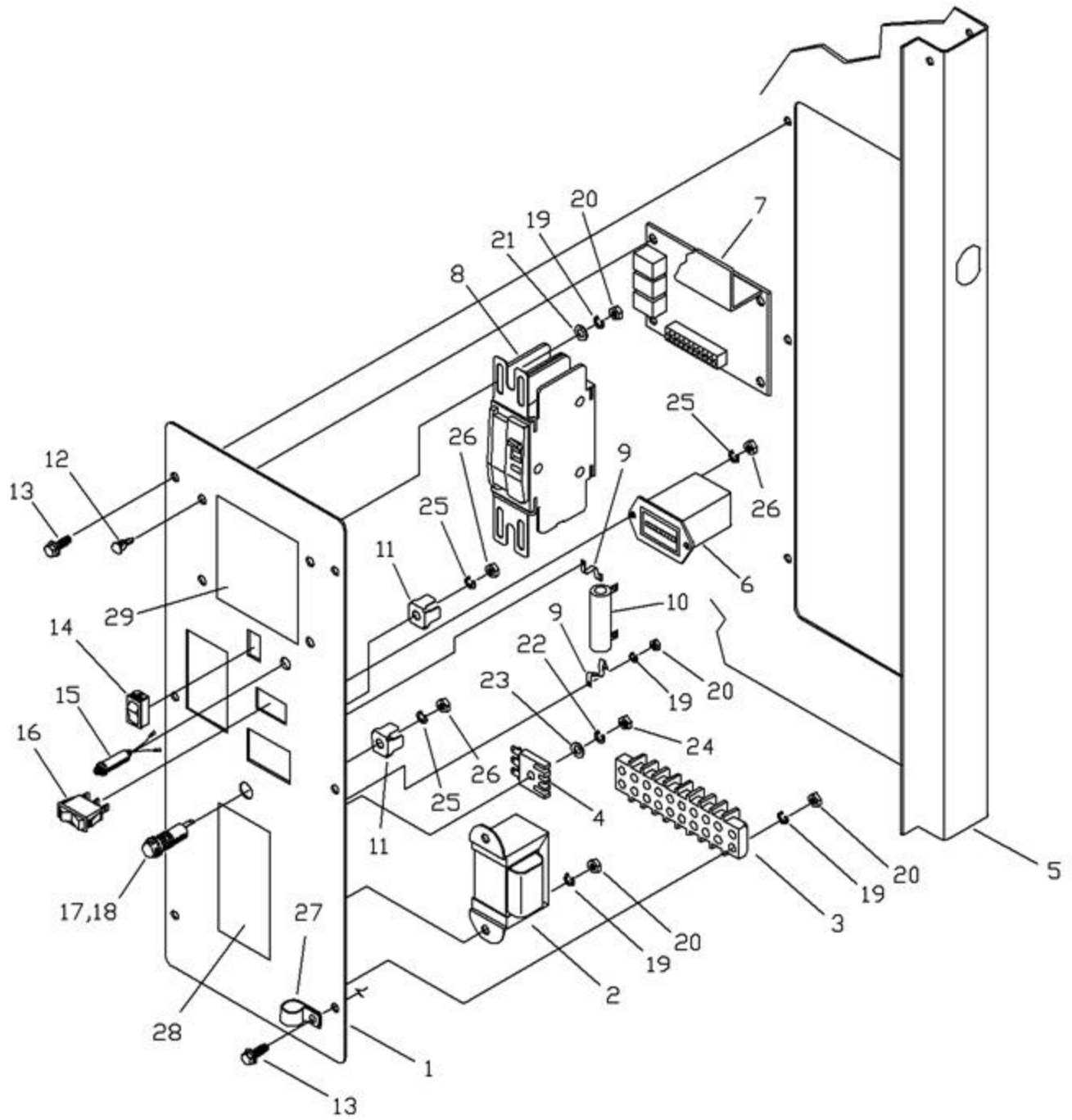
Ref # Part #

Description

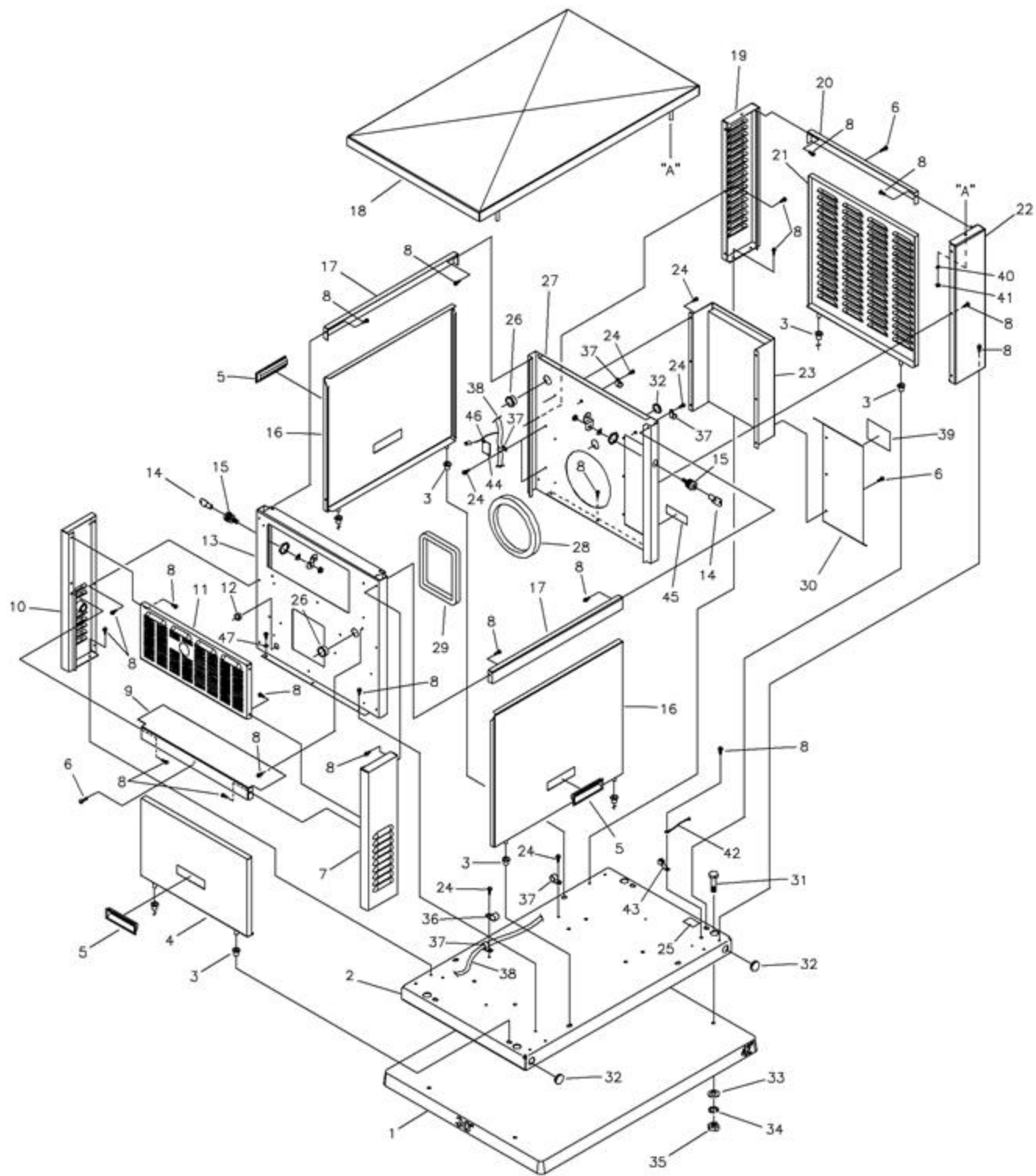
Context Note Foot Note



Ref #	Part #	Description	Context Note	Foot Note
1	B4906	SHIELD, Front		
2	B4907	GRID, Front		
3	B4908	BOLT, Shaft Stay		
4	B4909	STAY BOLT, M8 x 30		
5	B4910	ASSEMBLY, Housing		
6	B4911	CAP		
7	B4912	COVER, Blind End		
8	B4913	COVER, Top Black		
9	B4914	CAPACITOR, 25m F 450V		
10	B4915	BEARING, 62052RS C3		
11	B4916	CAPACITOR, Diode + Varistor + EMC		
12	B4917	ROTOR,	(Includes Item 13)	
13	B4918	FAN		
14	B4919	SCREW, M6 - 1.0 x 10mm		
15	B4920	SCREW, M5 - 0.8 x 10mm		
16	49820	LOCK NUT, M8 - 1.25		

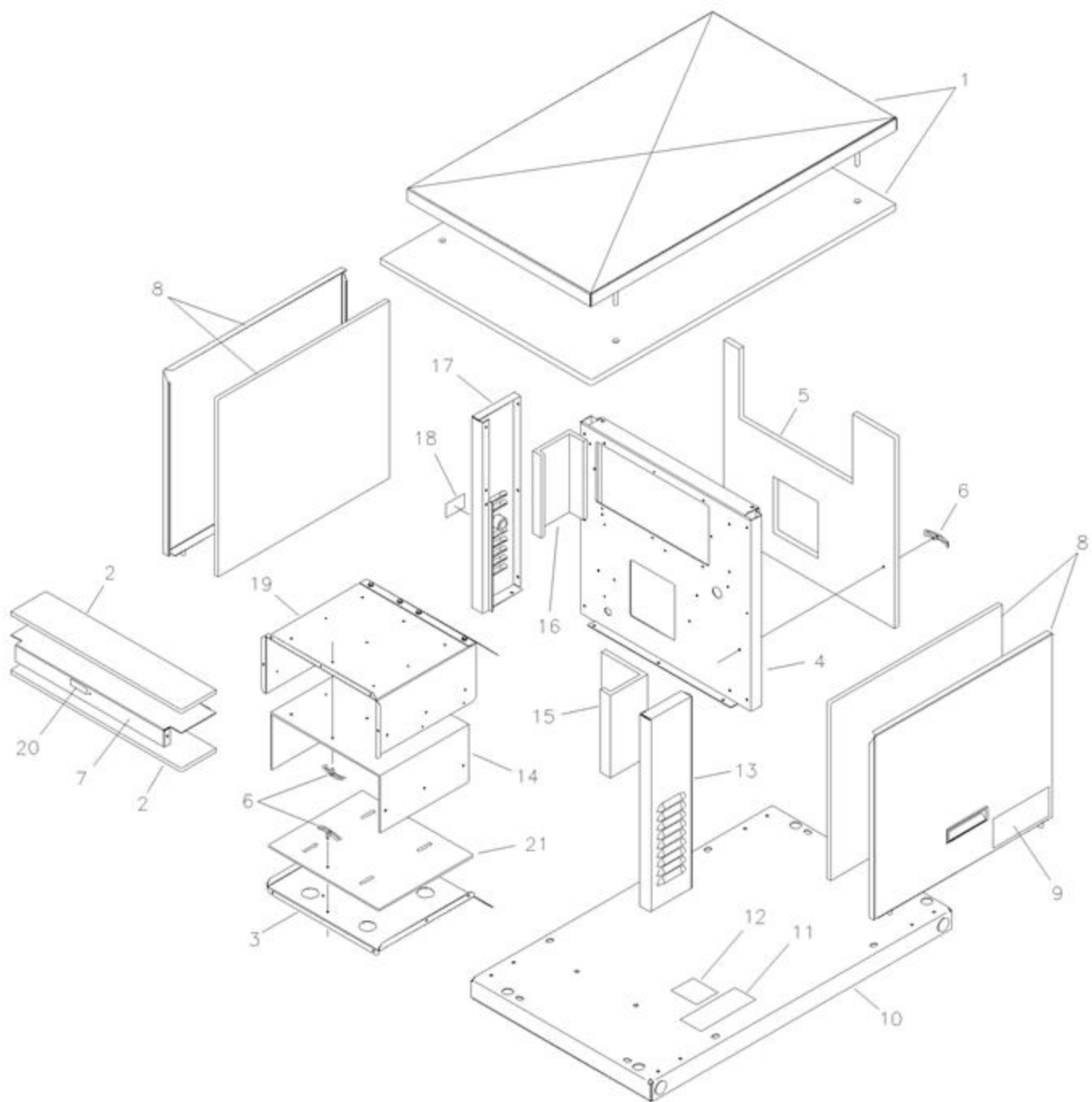


Ref #	Part #	Description	Context Note	Foot Note
1	187225	CONTROL PANEL, with Silk Screen		
2	B4776	TRANSFORMER		
3	B4799	STRIP, Terminal		
4	65795	RECTIFIER, Battery Charge		
5	H185967	BULKHEAD, Engine Side		
6	77604	HOUR METER		
7	B5111	CONTROL BOARD		
8	186280	CIRCUIT BREAKER, 50 Amp, Model 1461		
	186280B	CIRCUIT BREAKER, 40 Amp, Model 1535		
9	B4893	BRACKET, Resistor		
10	B4867	RESISTOR, 25W, .5 OHM		
11	57345	NEUTRAL, 4 Prong		
12	186413	STANDOFF, Control Board		
13	B4300	BOLT, Swage, 1/4-20		
14	87799	SWITCH, Set Exercise		
15	B5133	DIODE, Light		
16	186443	SWITCH, Auto/Off/Manual		
17	32300	HOLDER, Fuse		
18	22676	FUSE, 15 Amp AGC		
19	22264	LOCKWASHER, M4		
20	51715	NUT, M4 - 0.7		
21	22985	FLATWASHER, M4		
22	49226	LOCKWASHER, M5		
23	23897	FLATWASHER, M5		
24	51716	NUT, M5 - 0.8		
25	43182	LOCKWASHER, M3		
26	51714	NUT, M3 - 0.5		
27	187060	CLAMP, Cable 3/4" I.D.		
28	186645	DECAL, Caution Electrical Shock		
29	186648	DECAL, Control Panel Fault Description		

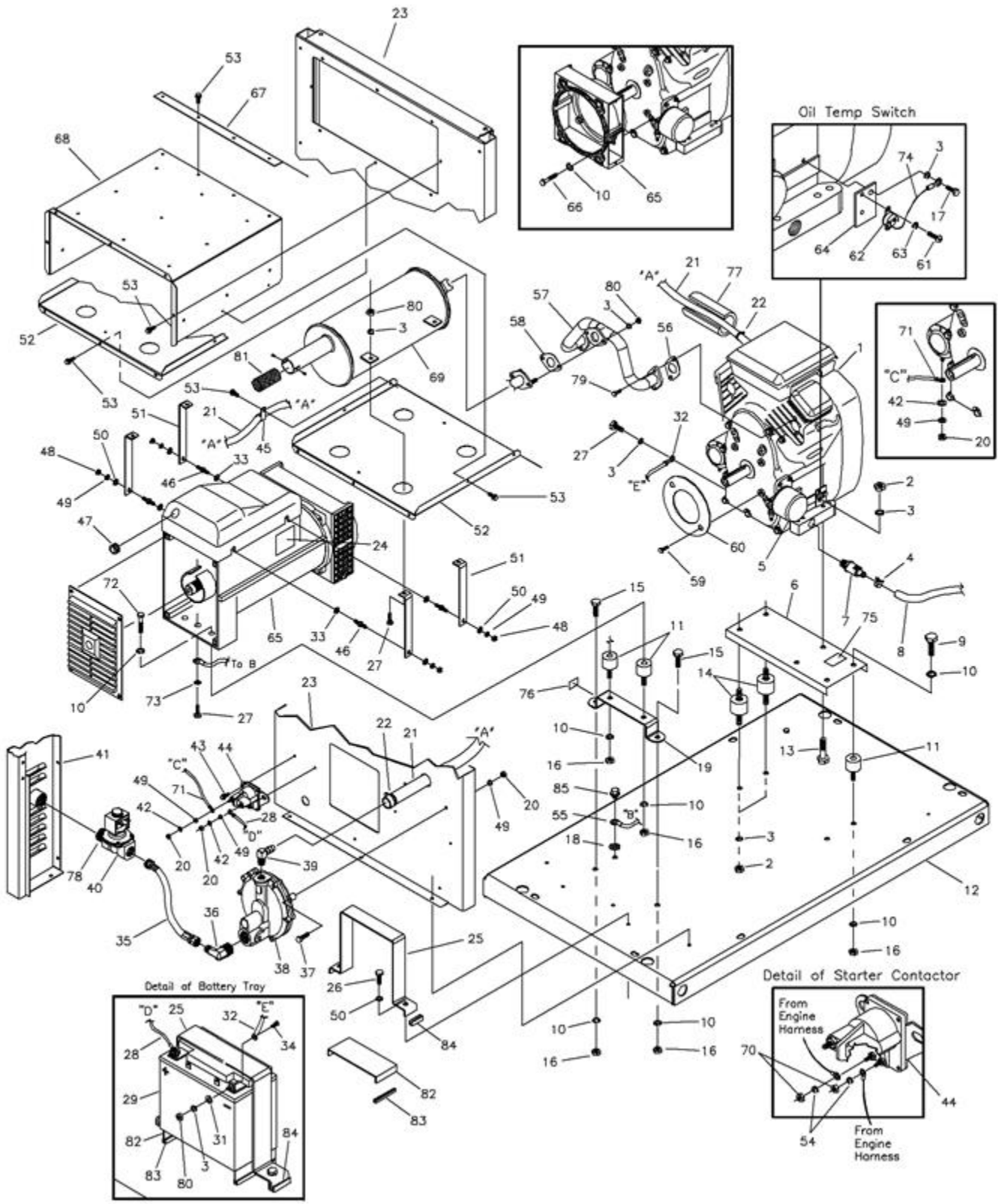


Ref #	Part #	Description	Context Note	Foot Note
1	186564	PAD, Fountation Base w/ Holes		
2	H185972	BASE, Mounting		
3	186061	BUSHING, Stem		
4	H185971	DOOR,Alternator Side		
5	186049	HANDLE, Door, Recessed Pull		
6	186840	PPHMS, M5.5, Stainless Steel		
7	H185962	CORNER, Alt. Air Inlet Right		
8	B4300	SWAG BOLT, 1/4" - 20		
9	H185968	BAFFLE, Horizontal, Alt. Side		
10	H185961	CORNER, Alt. Air Inlet, Left		
11	H185965	PANEL, Muffler Air Out		
12	186582	BUSHING, Snap 11/16" I.D.		
13	H185966	BULKHEAD, Alternator Side		
14	B5053	KEY, Lock		
15	186172	ASSEMBLY, Lock/Doors		
16	H187232	DOOR, with Insulation		
17	H186046	RAIL, Support Upper Front/Back		
18	H187234	ROOF, with Insulation		
19	H185963	CORNER, Engine Air Inlet Right		
20	H186047	RAIL, Support Upper Engine Side		
21	H185969	DOOR, Engine Air Inlet		
22	H185964	CORNER, Engine, Left Side		
23	H187235	BAFFLE, with Insulation		
24	74908	TAPTITE, M5		
25	B4986	DECAL, Ground		
26	186173	BUSHING, Snap, 1" I.D.		
27	H185967	BULKHEAD, Engine Side		
28	186065	SEAL, Foam Engine Air Inlet		
29	B4889	SEAL, Foam Alternator Air Inlet		
30	H186760	COVER, Control Panel		
31	29745	HHCS, 3/8" - 16 x 1"		
32	185976	PLUG, Hole 1-1/8"		
33	22131	FLATWASHER, 3/8"		
34	22237	LOCKWASHER, 3/8"		
35	22241	NUT, 3/8"		
36	187060	CLAMP, 3/4" Nylon		
37	186202	CLAMP, 1" Nylon		
38	186277	WIRE HARNESS, Engine		
39	B5082	DECAL, Danger High Voltage		
40	22097	LOCKWASHER, M6		
41	49813	NUT, M6 x 1.0		

Ref #	Part #	Description	Context Note	Foot Note
42	186790A	WIRE, Ground, To Control Panel		
43	186345	LUG, Ground		
44	186642	DECAL, LP/Natural Gas		
45	186827	DECAL, Terminal Strip		
46	28739A	TIE WRAP, 4" Black		
47	26850	WASHER, Ext. M6 - 1/4" Shakeproof		
	187008	KIT, Door Seal	Part Not Illustrated	



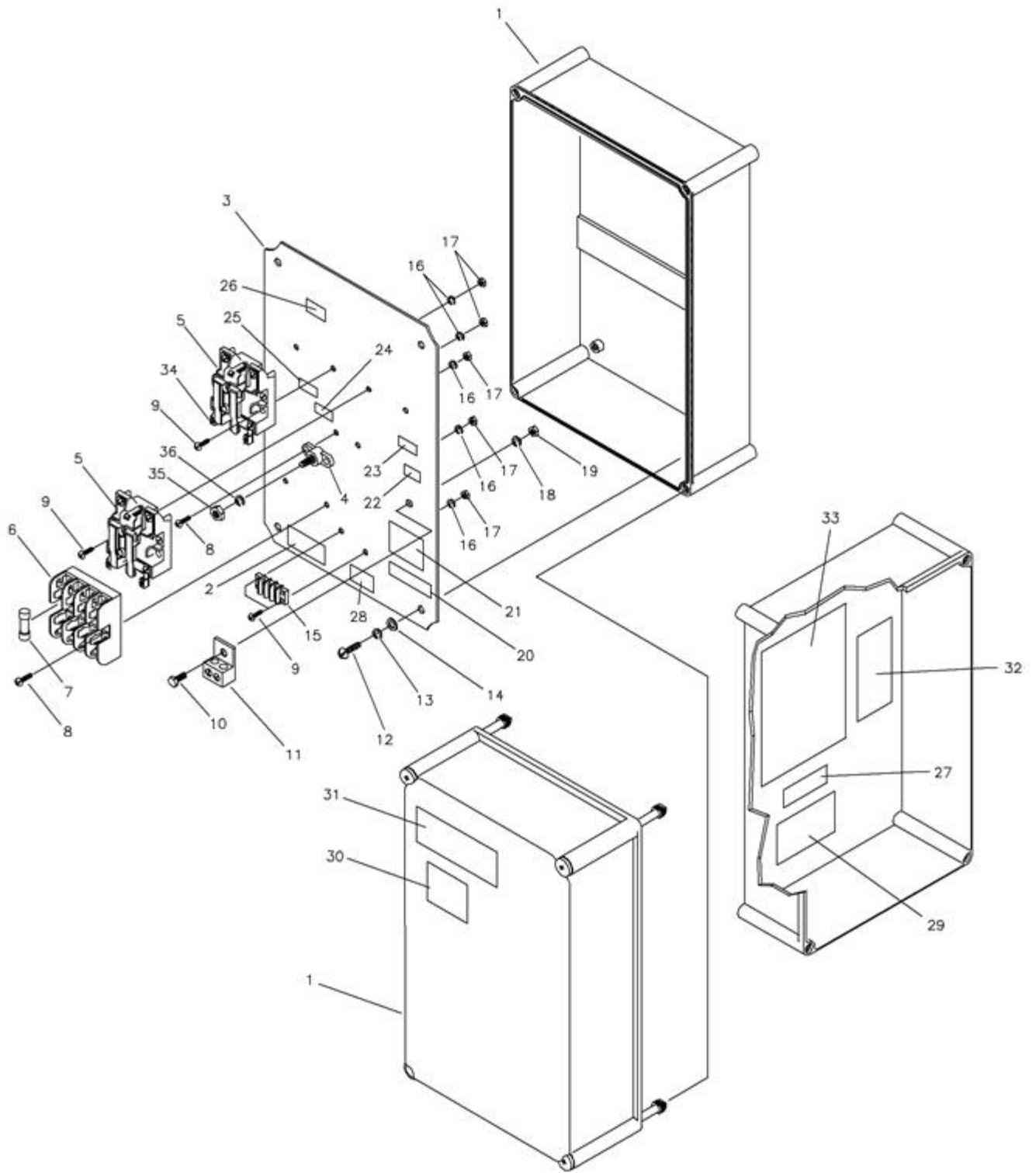
Ref #	Part #	Description	Context Note	Foot Note
1	H187234	ROOF, with Insulation		
2	186188	INSULATION, Baffle Alt. Side		
3	H186030	BASE, Muffler Box		
4	H185966	BULKHEAD, Alternator Side		
5	186186	INSULATION, Bulk Head Alt. End		
6	B4772	CLIPS, Dart		
7	H185968	BAFFLE, Horizontal, Alt. Side		
8	H187232	DOOR, with Insulation		
9	185553	DECAL, Unit Beacon		
10	H185972	BASE, Mounting		
11	186641	DECAL, Operation Instructions		
12	186646	DECAL, Warning Engine Can Start		
13	H185962	CORNER, Alt. Air Inlet Right		
14	186351	INSULATION, Muffler Box		
15	186189	INSULATION, Corner, Right Side		
16	186190	INSULATION, Corner, Left Side		
17	H185961	CORNER, Alt. Air Inlet, Left		
18	186643	DECAL, Fuel Inlet		
19	H186038	BOX, Muffler		
20	77816	DECAL, Hot Muffler		
21	186352	INSULATION, Muffler Base		



Ref #	Part #	Description	Context Note Foot Note
1	~NSP	ENGINE, B&S, 18 HP	
2	22259	NUT, 5/16" - 18	
3	22129	LOCKWASHER, 5/16" - M8	
4	48031J	CLIP, Hoseband	
5	92134	FILTER, Oil	
6	H186285	PAN, Engine Mounting	
7	186071	VALVE, Oil Drain	
8	186430	HOSE, Oil Drain	
9	25017	HHCS, 3/8" - 16 x 1/2"	
10	22237	LOCKWASHER, 3/8"	
11	38353	MOUNTS, Vibration	
12	H185972	BASE, Mount	
13	22531	HHCS, 5/16" - 18 x 1-3/4"	
14	92609	MOUNTS, Vibration	
15	29745	HHCS, 3/8" - 16 x 1"	
16	22241	NUT, 3/8" - 16	
17	51754	HHCS, M8 - 1.25 x 12	
18	187032	WASHER, 3/8 Ext., Shakeproof	
19	H185957	SUPPORT, Alt.	
20	22127	NUT, 1/4" - 20	
21	186152	HOSE, Gas Regulator to Engine	
22	57822	CLAMP, Hose	
23	H185966	BULKHEAD, Alternator Side	
24	186647	DECAL, Outdoor Use Only	
25	H188446A	RETAINER, Battery Hold Down	
26	92079	TAPTITE, M6 - 1.0 x 25	
27	42907	HHCS, M8 1.25 x 16	
28	188574	CABLE, Battery Positive	
29	188443	BATTERY, 33AH	
31	22145	WASHER, Flat 5/16 - M8	
32	188573	CABLE, Battery Negative	
33	186070	WASHER, Fiber .26 x .62 x .06	
34	39253	HHCS, M8 x 20	
35	186148	HOSE, Gas - regulator	
36	186151	ELBOW, Brass, 3/4" NPT x 1/2" Gas	
37	22413	HHCS, 1/4" - 20 x 1"	
38	B4774	REGULATOR, Gas Fuel	
39	186150	ELBOW, Brass 3/8 NPT	
40	B4773	SOLENOID, Gas Fuel	
41	H185961	CORNER, Alt. Air Inlet, Left	
42	26850	WASHER, Ext. M6-1/4" Shakeproof	

Ref #	Part #	Description	Context Note Foot Note
43	B4300	BOLT SWAG, 1/4 - 20	
44	B4769	CONTACTOR, Starter	
45	186375	CLAMP, Hose	
46	185955	STUD, Muffler Mount	
47	187049	PLUG, Dome	
48	49813	NUT, M6 - 1.0	
49	22097	LOCKWASHER, M6 - 1/4"	
50	22473	FLAT WASHER, M6 - 1/4"	
51	H186125	BRACKET, Muffler	
52	H186030	BASE, Muffler Box	
53	56893	CRIMPTITE, 10 - 24 x 1/2"	
54	22264	LOCKWASHER, M4 #8	
55	186790B	WIRE, Ground	
56	67897	MANIFOLD, Gasket	
57	185900	MANIFOLD, Exhaust	
58	186062	GASKET, Manifold, Muffler	
59	86307	HHCS, 5/16" x 3/4" SEMS	
60	B4260	DISK, Air Blocker	
61	186242	PPHMS, #4 - 40 x .019"	
62	186205	SWITCH, Thermodisk Oil Temp.	
63	27772	LOCKWASHER, #4 Int.Tooth	
64	186206	PLATE, Oil Temp Switch	
65	B4268	ALTERNATOR, Sincro	
66	22511	HHCS, 3/8 - 16 x 1-1/4"	
67	H186320	DEFLECTOR, 45° Muffler Box	
68	H186038	BOX, Muffler	
69	185894	MUFFLER, with Brackets	
70	22471	NUT, #8-32	
71	185939C	CABLE, Starter	
72	23152	HHCS, 3/8" - 16 x 3/4"	
73	27482	WASHER, 5/16" Ext. Shakeproof	
74	186790C	WIRE, Ground	
75	186649	DECAL, Oil Drain	
76	B4986	DECAL, Ground, Green	
77	186551	INSULATION, Fuel Hose	
78	26915	NIPPLE, 3/4" NPT	
79	69397	BOLT, Manifold	
80	45771	NUT, M8 - 1.25	
81	187277	SCREEN, Spark Arrester w/screws	
82	H188444	TRAY, Battery Support	
83	188445A	RUBBER STRIP, 85mm	

Ref #	Part #	Description	Context Note	Foot Note
84	188445B	RUBBER STRIP, 32mm		
85		UNKNOWN		



Ref #	Part #	Description	Context Note Foot Note
1	B4852	BOX, Plastic	
2	B5079	DECAL, Utility Load	
3	B4852	INSERT, Box	
4	57073	NEUTRAL BLOCK	
5	185890	RELAY, 900 Series	
6	B4858	FUSE HOLDER, 30 Amp	
7	B4857	FUSE, 2 Amp, 600 Volt	
8	75475	SCREW, M4 x 10	
9	75476	SCREW, M4 x 16	
10	43116	SCREW, M6 x 12	
11	B4856	CONNECTION LUG, Ground	
12	91526	SCREW, M5 x 12	
13	49226	LOCK WASHER, M5	
14	23897	FLAT WASHER, #10	
15	B5052	TERMINAL STRIP	
16	22264	LOCK WASHER, #8	
17	51715	NUT, M4	
18	22097	LOCK WASHER, 1/4	
19	49813	NUT, M6	
20	B5084	DECAL, UL Type	
21	B5083	DECAL, UL Listed	
22	B4986	DECAL, Ground	
23	B5107	DECAL, Generator Connection	
24	B5081	DECAL, Neutral	
25	B5106	DECAL, Utility Connection	
26	B5105	DECAL, Load Connection	
27	B5087	DECAL, Intended Use	
28	B5080	DECAL, Terminal Strip	
29	186021	DECAL, Identification	
30	B5086	DECAL, Warning, Live Circuit	
31	B5082	DECAL, Danger High Voltage	
32	B5085	DECAL, Warning Shock	
33	B5088	DECAL, Auto Sequence	
34	B4854	TERMINAL, 14-6 Awg	
35	22241	NUT, 3/8"-16	
36	22237	LOCK WASHER, 3/8"	