

Circular saw - F 012 771 200 - SPT77WML

www.powertools-aftersaleservice.com



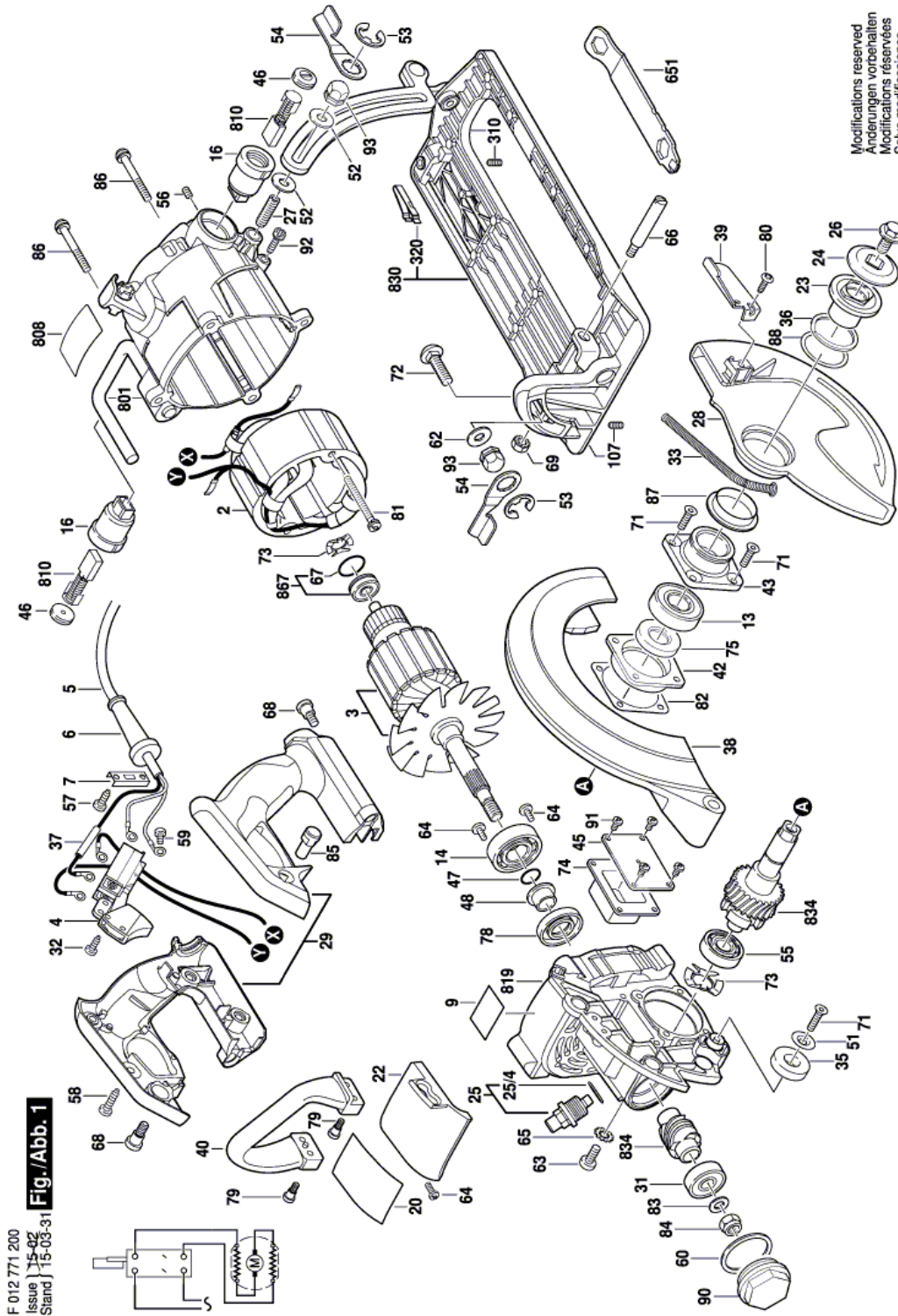
BOSCH

Item	Part Number	Description	Illustration	Price	Quantity	Price Group
2	1 619 P08 102	Field 115V	1	\$ 32.75	1	36
3	1 619 P08 002	Armature 115V	1	\$ 37.00	1	37
4	1 619 X08 653	Switch	1	\$ 10.80	1	25
5	1 619 X08 527	Power supply cord	1	\$ 13.30	1	27
6	1 619 X08 308	Grommet	1	\$ 2.85	1	16
7	1 619 X04 671	Cable Clip	1	\$ 0.66	1	10
9	1 619 X09 203	Sticker	1	\$ 1.09	1	11
13	2 610 024 748	Ball Bearing	1	\$ 2.50	1	15
14	1 619 X04 676	Ball Bearing	1	\$ 2.50	1	15
16	1 619 X04 708	Brush Holder	1	\$ 2.50	2	15
20	1 619 X04 679	Warning Plate	1	\$ 0.66	1	10
22	1 619 X09 219	Hood	1	\$ 1.09	1	11
23	1 619 X01 249	Washer	1	\$ 3.62	1	17
24	1 619 X04 683	Washer	1	\$ 3.62	1	17
25	1 619 X04 684	Oil Drain Plug	1	\$ 5.55	1	20
25/4	1 616 B10 364	O-Ring	1	\$ 0.66	1	10
26	1 619 X03 643	Collar bolt	1	\$ 1.32	1	12
27	1 619 X01 262	Stud	1	\$ 1.09	1	11
28	1 619 X04 693	Lower guard	1	\$ 10.80	1	25
29	1 619 X04 709	Set Of Handles	1	\$ 7.35	1	22
31	2 610 017 875	Ball Bearing	1	\$ 2.85	1	16
32	2 610 901 971	Screw	1	\$ 0.66	1	10
33	1 619 X04 765	Extension Spring	1	\$ 1.09	1	11
35	2 610 319 494	End stop	1	\$ 1.09	1	11
36	2 610 341 359	Spring retaining ring	1	\$ 1.09	1	11
37	1 619 X07 782	Insulating Tube	1	\$ 0.66	1	10
38	1 619 X09 205	Upper guard	1	\$ 12.00	1	26
39	1 619 X07 688	Lever	1	\$ 0.66	1	10
40	1 619 X04 707	Handle	1	\$ 3.62	1	17
42	1 619 X01 253	Bearing Plate	1	\$ 4.18	1	18

Item	Part Number	Description	Illustration	Price	Quantity	Price Group
43	1 619 X01 255	Guard Plate	1	\$ 3.62	1	17
45	1 619 X04 783	Cover	1	\$ 1.65	1	13
46	1 619 X01 268	Device cap	1	\$ 1.09	2	11
47	1 619 X04 712	O-Ring	1	\$ 0.66	1	10
48	1 619 X04 780	Collar	1	\$ 6.38	1	21
51	2 610 004 341	Washer	1	\$ 0.66	1	10
52	2 610 912 616	Washer	1	\$ 0.66	2	10
53	2 610 968 747	Spring retaining ring	1	\$ 1.09	2	11
54	1 619 X04 719	Locking Lever	1	\$ 1.09	2	11
55	2 610 017 348	groove ball bearing	1	\$ 1.95	1	14
56	2 610 027 039	Set screw	1	\$ 0.66	2	10
57	2 610 315 299	Screw	1	\$ 0.66	2	10
58	2 610 315 380	Screw	1	\$ 0.66	4	10
59	1 619 X03 644	Screw	1	\$ 0.66	1	10
60	1 619 X06 222	O-Ring	1	\$ 0.66	1	10
62	1 619 X07 724	Washer	1	\$ 0.66	1	10
63	2 610 329 955	Screw	1	\$ 0.66	3	10
64	1 619 X01 786	Contact Screw	1	\$ 0.66	4	10
65	2 610 306 355	Washer	1	\$ 0.66	3	10
66	1 619 X01 263	Stud	1	\$ 1.65	1	13
67	1 619 X04 687	O-Ring	1	\$ 0.66	1	10
68	2 610 932 332	Screw	1	\$ 0.66	3	10
69	2 610 932 460	Self-locking nut	1	\$ 0.66	1	10
71	2 610 027 002	Screw	1	\$ 0.66	5	10
72	2 610 911 837	Bolt	1	\$ 1.09	1	11
73	2 610 004 459	Spring Washer	1	\$ 1.09	2	11
74	1 619 X01 257	Rubber Gasket	1	\$ 1.09	1	11
75	1 619 X07 731	Seal	1	\$ 2.50	1	15
78	1 619 X04 740	Seal	1	\$ 4.18	1	18
79	1 619 X04 738	Screw	1	\$ 0.66	4	10
80	1 619 X06 749	Screw	1	\$ 0.66	1	10
81	1 619 X04 754	Screw	1	\$ 0.66	2	10
82	1 619 X01 258	mat seal	1	\$ 1.09	1	11
83	1 619 X05 847	Washer	1	\$ 0.66	1	10
84	2 610 318 324	Nut	1	\$ 1.09	1	11
85	1 619 X06 294	Screw	1	\$ 2.50	1	15
86	1 619 X04 746	Screw	1	\$ 0.66	4	10
87	1 619 X06 242	Bushing	1	\$ 0.66	1	10
88	1 619 X06 254	Washer	1	\$ 0.66	1	10
90	1 619 X05 948	Bearing Cover	1	\$ 1.09	1	11
91	1 619 X06 749	Screw	1	\$ 0.66	4	10
92	2 610 932 218	Screw	1	\$ 0.66	1	10
93	1 619 X01 283	Nut	1	\$ 1.65	2	13
107	2 610 911 889	Set screw	1	\$ 1.09	1	11
310	1 619 X04 768	Set screw	1	\$ 0.66	1	10
320	1 619 X04 669	Spring	1	\$ 0.66	1	10
651	1 619 X04 755	Socket wrench	1	\$ 2.85	1	16
801	1 619 X09 235	Motor Housing	1	\$ 29.50	1	35
808	1 619 X09 217	Nameplate	1	\$ 0.66	1	10
808	1 619 X09 218	Nameplate	1	\$ 0.66	1	10

Item	Part Number	Description	Illustration	Price	Quantity	Price Group
810	1 619 X07 410	Carbon-Brush Set		1 \$ 3.62	1	17
819	1 619 X06 299	Gear Housing		1 \$ 37.00	1	37
830	1 619 X07 411	Base Plate		1 \$ 37.00	1	37
834	1 619 X07 035	Set Of Gears		1 \$ 41.00	1	38
867	1 619 X09 014	groove ball bearing		1 \$ 3.62	1	17

Illustration - Type E



Information subject to change without further notice.