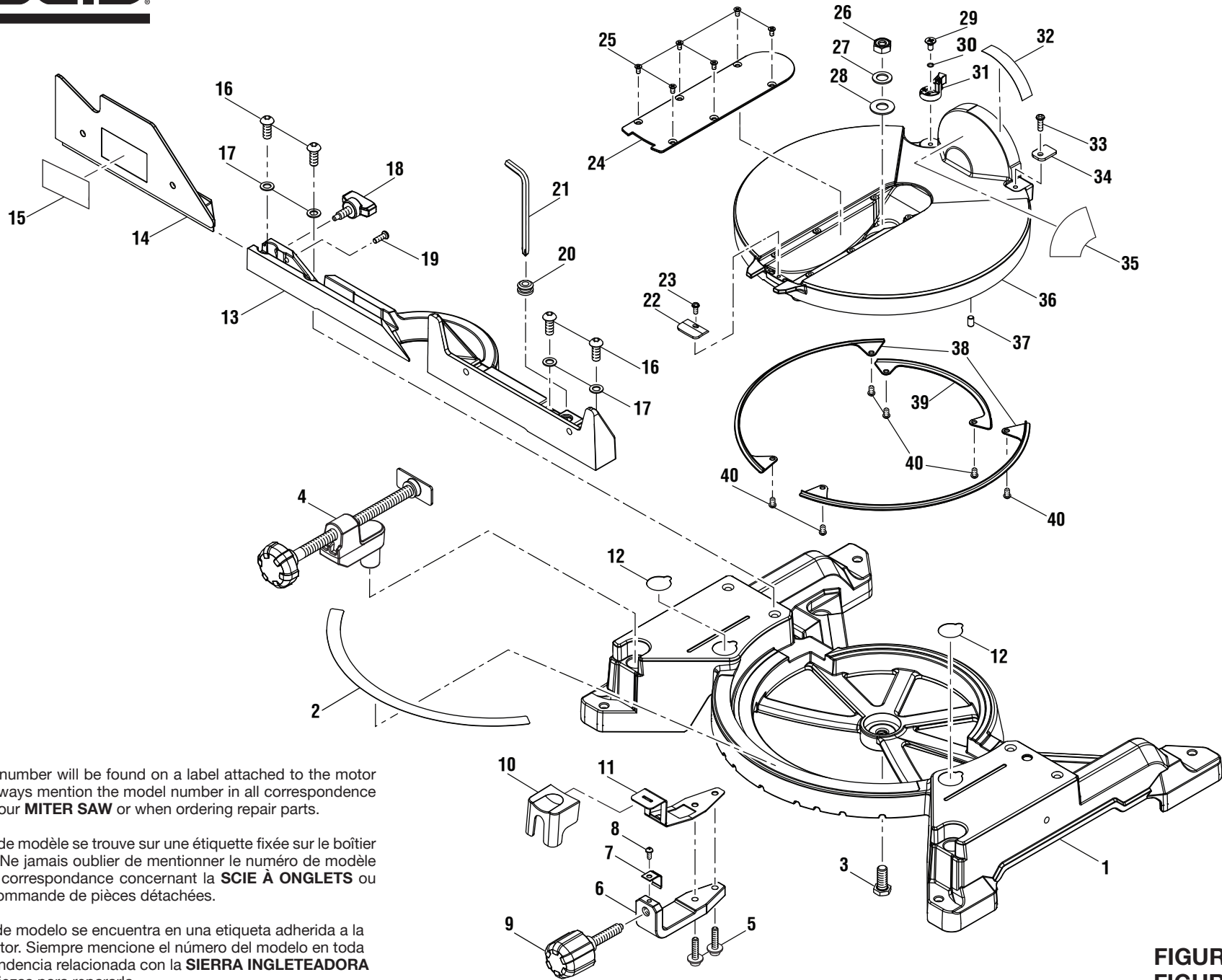


# RIDGID® R4110



The model number will be found on a label attached to the motor housing. Always mention the model number in all correspondence regarding your **MITER SAW** or when ordering repair parts.

Le numéro de modèle se trouve sur une étiquette fixée sur le boîtier du moteur. Ne jamais oublier de mentionner le numéro de modèle dans toute correspondance concernant la **SCIE À ONGLETS** ou lors de la commande de pièces détachées.

El número de modelo se encuentra en una etiqueta adherida a la caja del motor. Siempre mencione el número del modelo en toda la correspondencia relacionada con la **SIERRA INGLETEADORA** o al pedir piezas para repararla.

**FIGURE A**  
**FIGURA A**

## PARTS LIST FOR FIGURE A

Key No.	Part Number	Description	Qty.	Key No.	Part Number	Description	Qty.
1	089036005088	Base Assembly .....	1	23	089036005103	Screw w/Washer (M4 x 8 mm) .....	1
2	089036005906	Miter Scale Label .....	1	24	089036005118	Throat Plate.....	1
3	089036005104	Screw (M10 x 25 mm, Hex Hd.).....	1	25	089036005119	Screw (M4 x 10 mm) .....	6
4	089036005711	Work Clamp Assembly.....	1	26	089036005107	Lock Nut (M10).....	1
5	089036005110	Screw w/Washers (M6 x 25 mm, Hex Soc. Hd.).....	2	27	089036005106	Washer (ID10 x OD20 x 1.5t).....	1
6	089036005108	Control Arm.....	1	28	089036005105	Washer (ID10 x OD25 x 1.5t).....	1
7	089036005112	Spring Plate.....	1	29	089036005097	Fixed Screw (M5) .....	1
8	089036005113	Screw (M5 x 5 mm) .....	1	30	089036005098	O-Ring.....	1
9	089036005115	Miter Lock Knob.....	1	31	089036005096	Bevel Angle Pivot .....	1
10	089036005114	Sleeve .....	1	32	089036005905	Bevel Scale Label.....	1
11	089036005109	Lock Plate .....	1	33	089036005100	Screw w/Washers (M5 x 12 mm) .....	1
12	089036005907	Hand Warning Label .....	2	34	089036005099	Fixed Plate .....	1
13	089036005120	Fence .....	1	35	089036005903	Aperature Warning Label .....	1
14	089036005124	Sliding Miter Fence .....	1	36	089036005090	Miter Table.....	1
15	089028007706	Sliding Miter Fence Warning Label .....	1	37	089036005095	Screw (M6 x 16 mm, Soc. Hd.) .....	1
16	089036005121	Cap Screw (M8 x 20 mm) .....	4	38	089036005091	Large Base Shim.....	2
17	089036005122	Washer (ID8 x OD14 x 1.2t).....	4	39	089036005092	Small Base Shim.....	1
18	089036005125	Fence Screw .....	1	40	089036005093	Screw (M5 x 10 mm) .....	6
19	089036005126	Screw (M5 x 16 mm) .....	1	<b>Not Shown:</b>			
20	089036005123	Hex Key Holder .....	1	988000716	Operator's Manual (089036005917)		
21	089036005127	Hex Key (1/4 in. x 120 mm).....	1	12-15-11			
22	089036005102	Miter Scale Indicator.....	1	(Rev:01)			

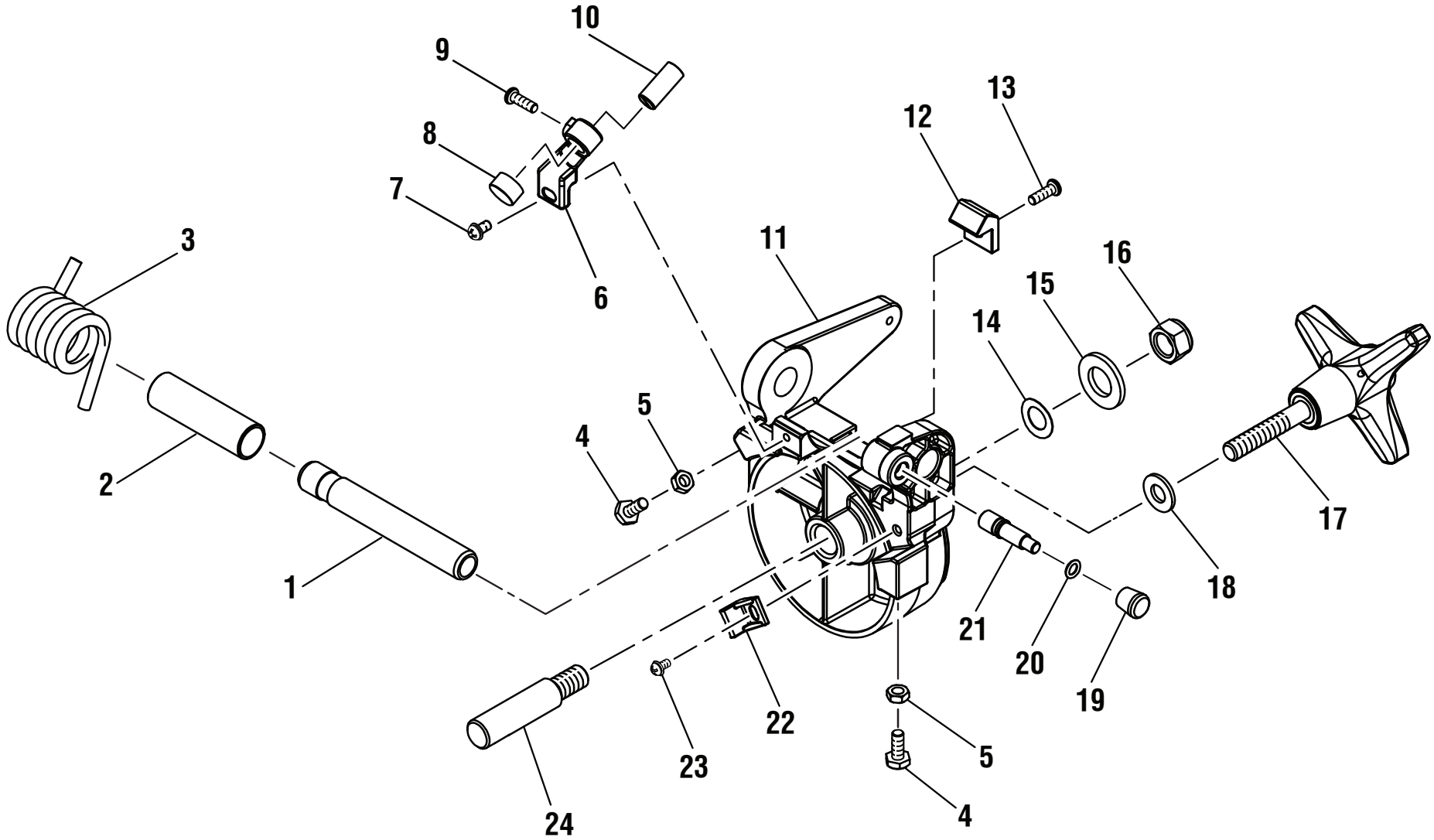
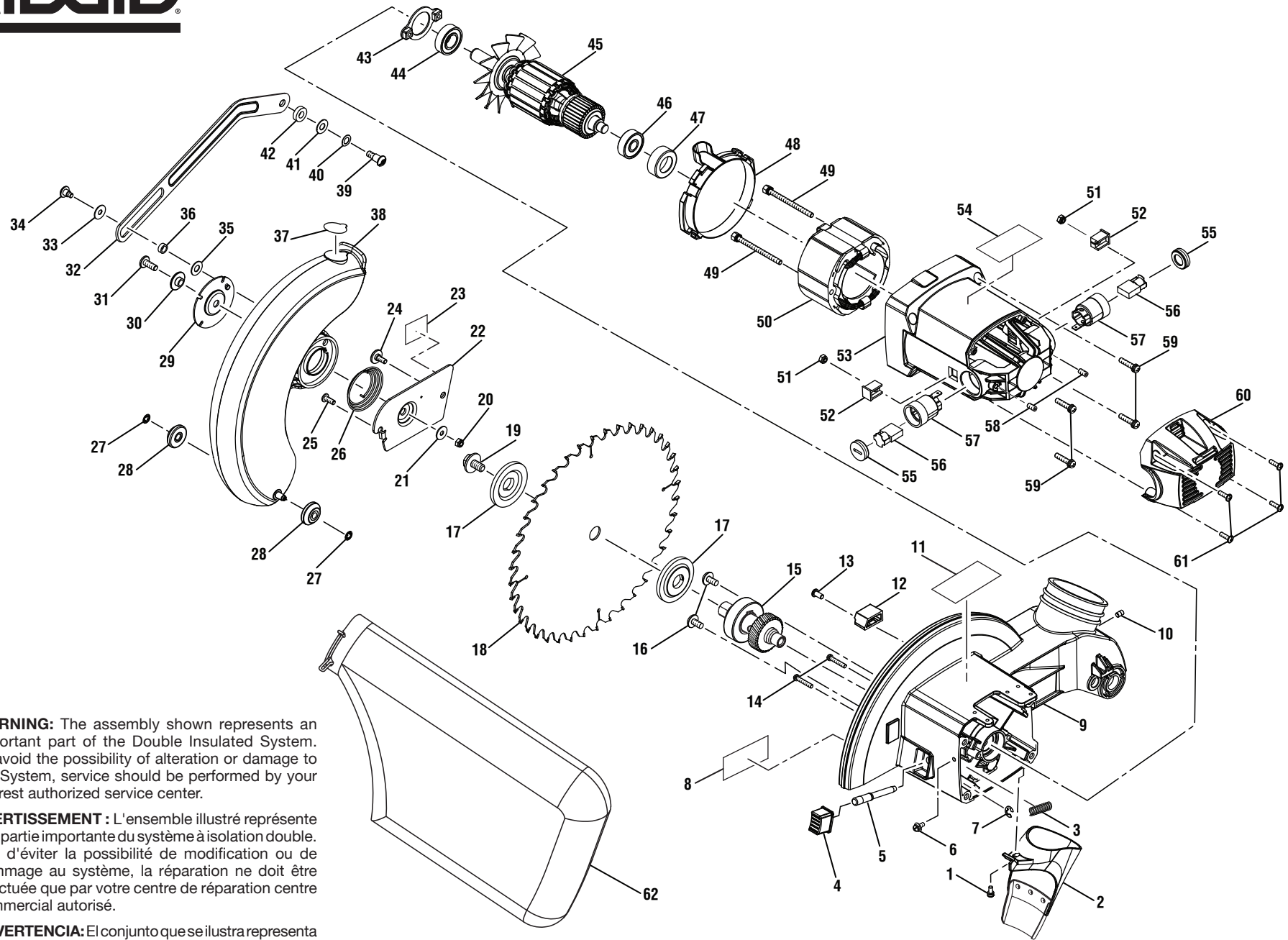


FIGURE B  
FIGURA B

**PARTS LIST FOR FIGURE B**

Key No.	Part Number	Description	Qty.	Key No.	Part Number	Description	Qty.
1	089036005051	Upper Pivot Shaft.....	1	13	089036005080	Screw (M5 x 10 mm).....	1
2	089036005053	Sleeve .....	1	14	089036005083	Washer (ID22 x OD12.7 x 0.3t).....	1
3	089036005052	Torsion Spring .....	1	15	089036005082	Washer (ID12.2 x OD22 x 2t).....	1
4	089036005077	Screw (M6 x 16 mm, Hex Hd.).....	2	16	089036005081	Lock Nut (M12).....	1
5	089036005078	Hex Nut (M6).....	2	17	089036005084	Bevel Lock Knob.....	1
6	089036005059	Laser Mount.....	1	18	089036005085	Washer (ID10 x OD25 x 2t).....	1
7	089036005060	Screw w/Washers (M4 x 12 mm) .....	1	19	089036005076	Lock Pin Sleeve .....	1
8	089036005062	Laser Cover.....	1	20	089036005135	O-Ring.....	1
9	089036005063	Set Screw (M4 x 6 mm).....	1	21	089036005075	Lock Pin .....	1
10	089036005061	Laser Head.....	1	22	089036005086	Bevel Indicator .....	1
11	089036005074	Support Bracket.....	1	23	089036005087	Screw w/Washers (M4 x 10 mm) .....	1
12	089036005079	Knuckle Pad.....	1	24	089036005094	Pivot Bolt.....	1



**▲ WARNING:** The assembly shown represents an important part of the Double Insulated System. To avoid the possibility of alteration or damage to the System, service should be performed by your nearest authorized service center.

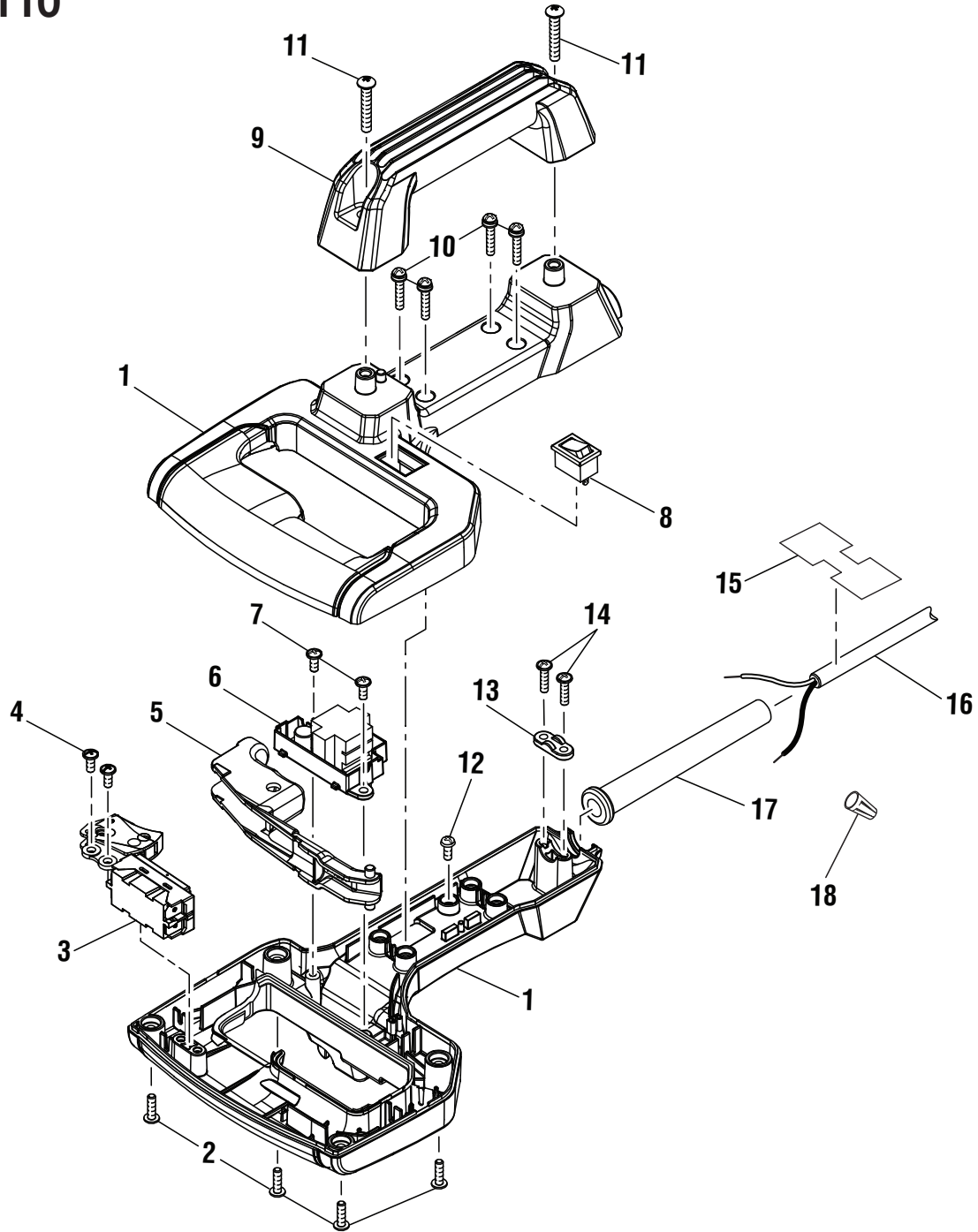
**▲ AVERTISSEMENT :** L'ensemble illustré représente une partie importante du système à isolation double. Afin d'éviter la possibilité de modification ou de dommage au système, la réparation ne doit être effectuée que par votre centre de réparation commerciale autorisé.

**▲ ADVERTENCIA:** El conjunto que se ilustra representa una parte importante del Sistema de Aislamiento Doble. Para evitar la posibilidad de alteración o daño del sistema, la reparación debe ser efectuada en su centro de servicio autorizado.

**FIGURE C**  
**FIGURA C**

## PARTS LIST FOR FIGURE C

Key No.	Part Number	Description	Qty.	Key No.	Part Number	Description	Qty.
1	089036005058	Screw w/Washers (M5 x 8 mm) .....	1	32	089036005003	Actuator Link.....	1
2	089036005057	Dust Chute Assembly .....	1	33	089036005002	Washer (ID7.5 x OD16 x 0.8t).....	1
3	089036005023	Spring.....	1	34	089036005001	Screw (Special) .....	1
4	089028007024	Button .....	1	35	089036005005	Washer (ID5.5 x OD16 x 1.6t).....	1
5	089036005022	Spring Lock.....	1	36	089036005004	Spacer.....	1
6	089036005040	Screw w/Washers (M4 x 12 mm) .....	1	37	089036005907	Hand Warning Label .....	1
7	089036005024	E-Ring .....	1	38	089036005012	Lower Guard .....	1
8	089036005908	Guard Warning Label .....	1	39	089036005006	Screw (M6 x 10 mm) .....	1
9	089036005020	Arm.....	1	40	089036005008	Washer (ID7.5 x OD12.7 x 0.4t).....	1
10	089036005054	Fixed Screw (M5 x 8 mm) .....	1	41	089036005007	Washer (ID7.5 x OD16 x 0.8t).....	1
11	089036005901	Data Label.....	1	42	089036005009	Washer (ID7.5 x OD16 x 4.5t).....	1
12	089036005116	Stop Block .....	1	43	089036005025	Bearing Plate.....	1
13	089036005117	Fixed Screw (M4 x 10 mm) .....	1	44	089036005069	Ball Bearing (6002 ZRS).....	1
14	089036005026	Screw w/Washer (M4 x 23 mm) .....	2	45	089036005706	Armature Assembly (Inc. Key Nos. 43-44 & 46)..	1
15	089036005705	Arbor Shaft Assembly .....	1	46	089036005071	Ball Bearing (6200ZZ ).....	1
16	089036005021	Screw (M6 x 12 mm) .....	2	47	089036005032	Bearing Seat .....	1
17	089036005072	Blade Washer.....	2	48	089036005033	Baffle .....	1
18	503501000	10 in. Blade (40 Tooth) .....	1	49	089036005031	Bolt w/Washers (M5 x 65 mm).....	2
19	089036005073	Blade Screw.....	1	50	089036005029	Field Assembly.....	1
20	089036005019	Lock Nut (M6).....	1	51	089036005030	Hex Nut (M5) .....	2
21	089036005018	Washer (ID0.25 x OD16 x 1t).....	1	52	089028007126	Nut Pocket .....	2
22	089036005013	Inner Cover Plate .....	1	53	089036005027	Motor Housing .....	1
23	089036005909	Blade Direction Label.....	1	54	089036005902	Warning Label .....	1
24	089036005010	Screw (#10-32 x 12.7 mm, Special).....	1	55	089100121099	Brush Cap .....	2
25	089036005011	Screw (#10-32 x 12.7 mm, Pan Hd.).....	1	56	089036005035	Brush Assembly .....	2
26	089036005014	Volute Spring.....	1	57	089100121090	Brush Holder .....	2
27	089100121160	Pusher Nut .....	2	58	089036005028	Fixed Screw .....	2
28	089100121159	Roller .....	2	59	089036005034	Screw w/Washers (M5 x 25 mm) .....	4
29	089036005015	Outer Cover Plate .....	1	60	089036005050	End Cap .....	1
30	089036005017	Spacer.....	1	61	089036005049	Screw (M4 x 14 mm) .....	4
31	089036005016	Screw (M6 x 16 mm) .....	1	62	089036005712	Dust Bag Assembly.....	1



**FIGURE D**  
**FIGURA D**

## PARTS LIST FOR FIGURE D

Key No.	Part Number	Description	Qty.	Key No.	Part Number	Description	Qty.
1	089036005713	"D" Handle Assembly.....	1	10	089036005048	Screw w/Washers (M4 x 22 mm) .....	4
2	089036005049	Screw (M4 x 14 mm) .....	4	11	089036005055	Screw (M5 x 30 mm) .....	2
3	089036005044	Switch .....	1	12	089036005039	Screw (M4 x 10 mm) .....	1
4	089036005045	Screw (M4 x 10 mm) .....	2	13	089028007030	Cord Clamp.....	1
5	089036005046	Trigger .....	1	14	089036005043	Screw (M4 x 14 mm) .....	2
6	089036005037	Circuit Breaker Assembly.....	1	15	089036005904	Cord Warning Label .....	1
7	089036005038	Screw (M4 x 10 mm) .....	2	16	089036005041	Power Cord .....	1
8	089036005042	Laser On/Off Switch.....	1	17	089028007029	Bend Relief.....	1
9	089036005056	Carry Handle .....	1	18	089036005137	Wire Nut .....	1

## LISTE DES PIÈCES DE LA FIGURE D

Pièce	Référence	Description	Qté.	Pièce	Référence	Description	Qté.
1	089036005713	Ensemble de poignée en « D ».....	1	10	089036005048	Vis avec rondelles (M4 x 22 mm) .....	4
2	089036005049	Vis (M4 x 14 mm) .....	4	11	089036005055	Vis (M5 x 30 mm) .....	2
3	089036005044	Interrupteur .....	1	12	089036005039	Vis (M4 x 10 mm) .....	1
4	089036005045	Vis (M4 x 10 mm) .....	2	13	089028007030	Retenue de cordon .....	1
5	089036005046	Gâchette .....	1	14	089036005043	Vis (M4 x 14 mm) .....	2
6	089036005037	Ensemble de disjoncteur de circuit.....	1	15	089036005904	Étiquette d'avertissement de cordon.....	1
7	089036005038	Vis (M4 x 10 mm) .....	2	16	089036005041	Cordon d'alimentation .....	1
8	089036005042	Bouton on/off du laser .....	1	17	089028007029	Protecteur de cordon.....	1
9	089036005056	Poignée de transport .....	1	18	089036005137	Isolateur d'épissure.....	1

## LISTA DE PIEZAS DE LA FIGURA D

Ref.	N/P	Descripción	Cant.	Ref.	N/P	Descripción	Cant.
1	089036005713	Conjunto de mango en "D" .....	1	10	089036005048	Tornillo con arandelas (M4 x 22 mm) .....	4
2	089036005049	Tornillo (M4 x 14 mm).....	4	11	089036005055	Tornillo (M5 x 30 mm).....	2
3	089036005044	Interruptor .....	1	12	089036005039	Tornillo (M4 x 10 mm).....	1
4	089036005045	Tornillo (M4 x 10 mm).....	2	13	089028007030	Abrazadera de cordón .....	1
5	089036005046	Gatillo .....	1	14	089036005043	Tornillo (M4 x 14 mm).....	2
6	089036005037	Conjunto de disyuntor de circuitos.....	1	15	089036005904	Etiqueta del cordón.....	1
7	089036005038	Tornillo (M4 x 10 mm).....	2	16	089036005041	Cordón de corriente.....	1
8	089036005042	Botón de encendido/apagado del láser.....	1	17	089028007029	Protector del cordón.....	1
9	089036005056	Mango de acarreo.....	1	18	089036005137	Tuerca para alambre .....	1