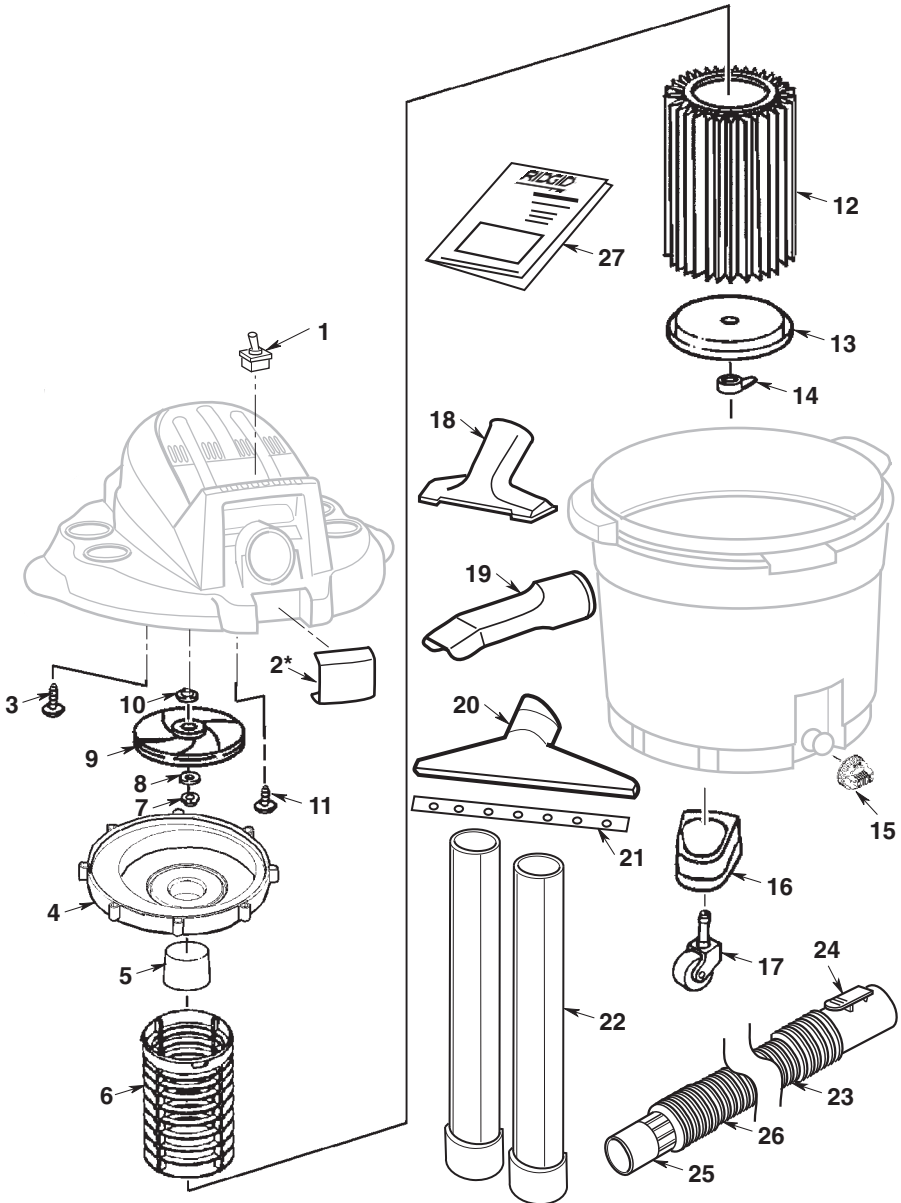


12 or 16 U.S. Gallons Wet/Dry Vac
Model Number WD12450 or WD16350
RIDGID parts are available on-line at www.ridgidparts.com



*WD1635 Only


Repair Parts

12 or 16 U.S. Gallons Wet/Dry Vac Model Number WD12450 or WD16350

RIDGID parts are available on-line at www.ridgidparts.com
Always order by Part Number - Not by Key Number

WARNING

SERVICING OF DOUBLE-INSULATED WET/DRY VAC

In a double-insulated Wet/Dry Vac, two systems of insulation are provided instead of grounding. No grounding means is provided on a double-insulated appliance, nor should a means for grounding be added. Servicing a double-insulated Wet/Dry Vac requires extreme care and knowledge of the system, and should be done only by qualified service personnel. Replacement parts for a double-insulated Wet/Dry Vac must be identical to the parts they replace. Your double-insulated Wet/Dry Vac is marked with the words "DOUBLE INSULATED" and the symbol  (square within a square) may also be marked on the appliance.

To reduce the risk of injury from electrical shock, unplug power cord before servicing the electrical parts of the Wet/Dry Vac.

Key No.	12 Gallon Part No.	16 Gallon Part No.	Description
1	813213	813213	Toggle Switch
2	—	826387	Drum Latch
3	820563-4	820563-4	* Screw, Pan Hd. Ty. "AB" 10 x 3/4 Ser.
4	829692	829692	Collector Assembly
5	509488	509488	Float
6	823201-1	823201-1	Filter Cage
7	826817	826817	Nut, Hex Flange 5/16-18
8	15534-1	15534-1	Washer
9	818413-2	818413-2	Blower Wheel
10	818961	818961	Spacer
11	820563-5	820563-5	* Screw, Pan Hd. Ty. "AB" 10 x 1-1/4 Ser.
12	VF4000	VF4000	† Filter
13	73317	73317	Filter Plate
14	73316	73316	Filter Nut
15	825881-2	825881-2	Drain Cap
16	828833	828833	Caster Foot w/Storage
17	73102	73102	Caster
18	VT2509	VT2509	† Utility Nozzle
19	VT2503	VT2503	† Car Nozzle
20	VT2510	VT2510	† Wet Nozzle (Includes Key No. 21)
21	822256	822256	Squeegee
22	VT2508	VT2508	† Extension Wands
23	826356-1	826356-1	Hose Assembly (Includes Key Nos. 24 thru 26)
24	826355-1	826355-1	Spring Tab
25	826354	826354	End Hose Interlock
26	815096	815096	Adapter Hose
27	SP6439	SP6439	Owner's Manual

* Standard Hardware Item - May Be Purchased Locally

† These replacement parts are available where you purchased your vac.